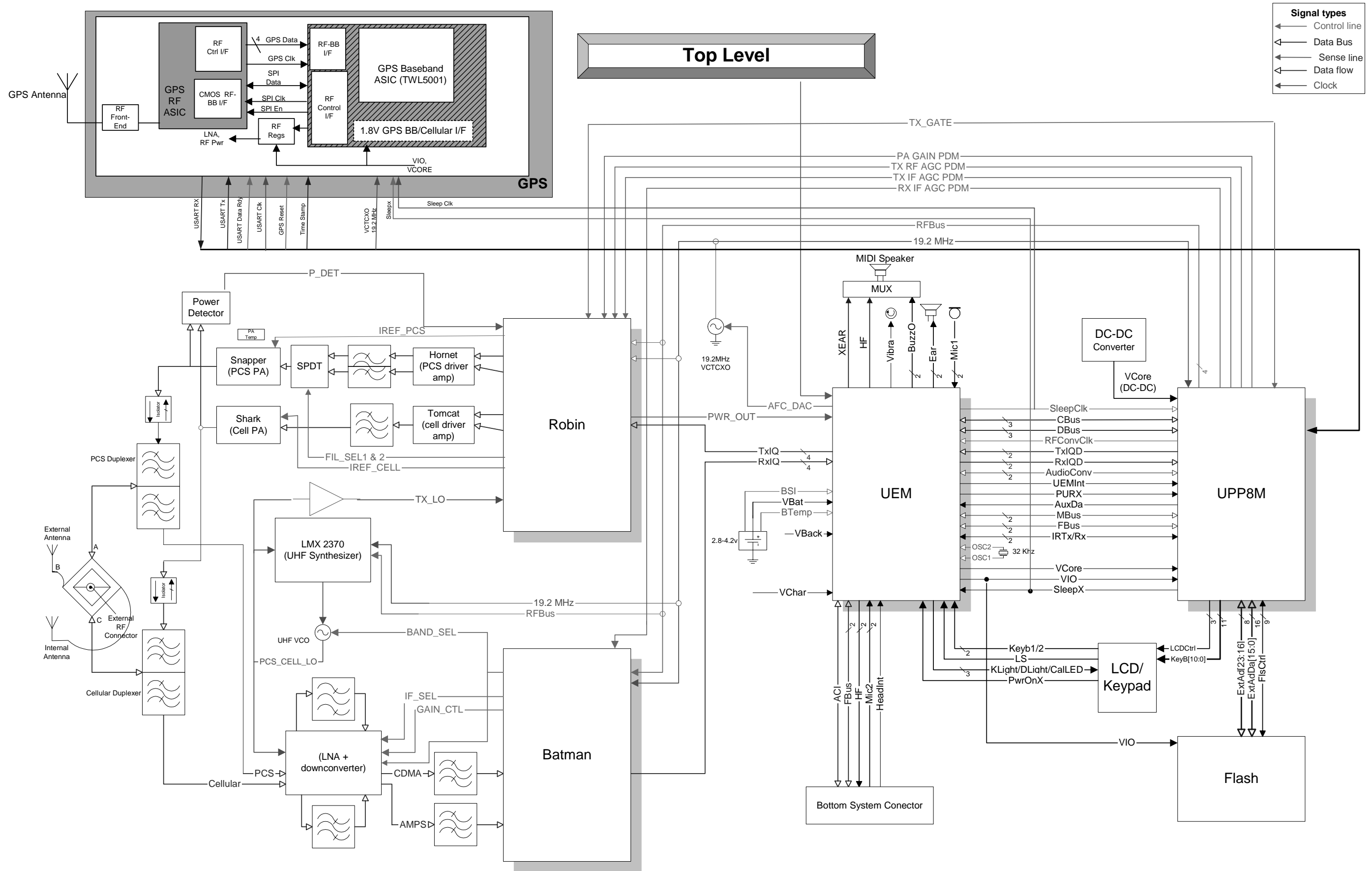
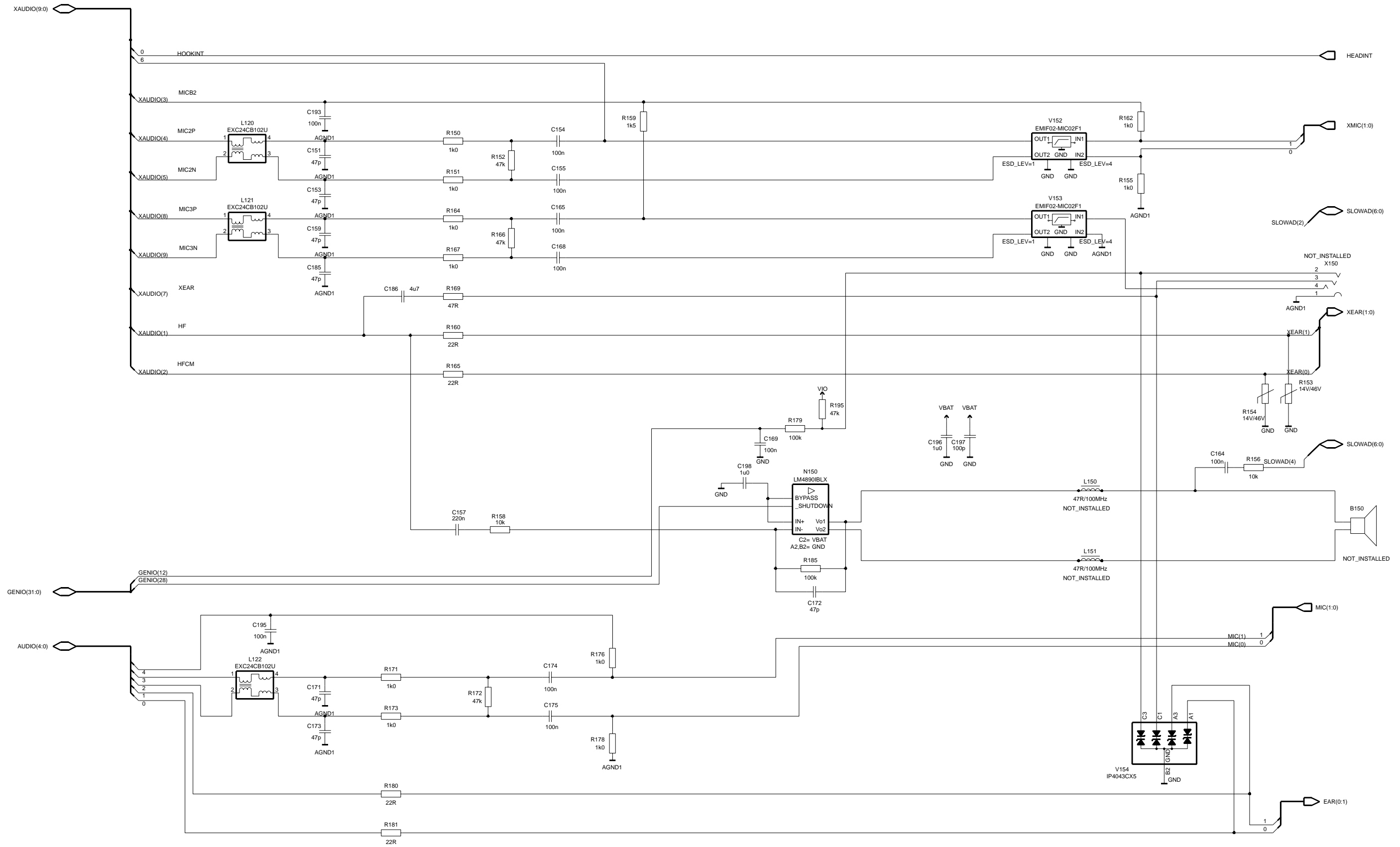


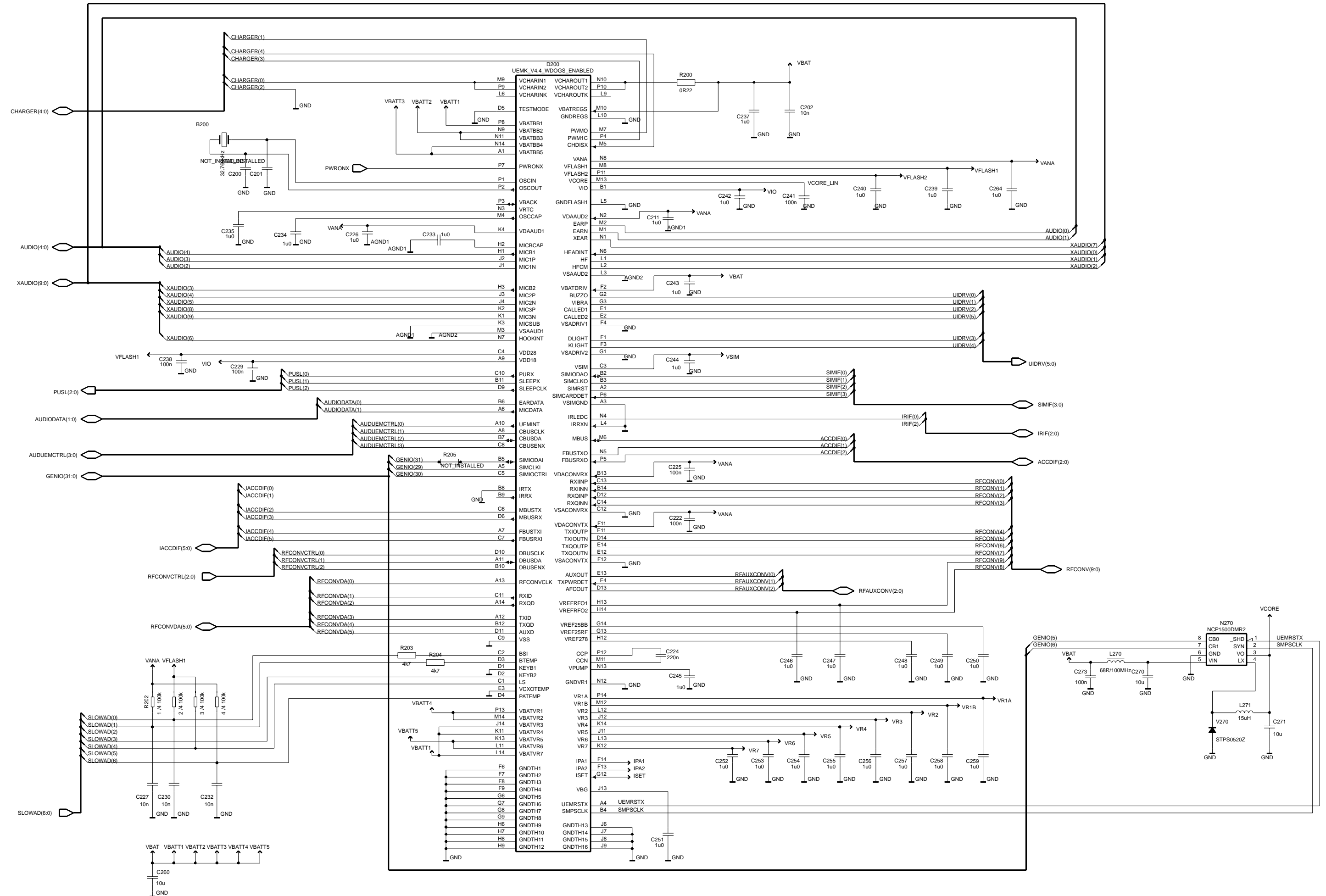
3585i Top Level Overview



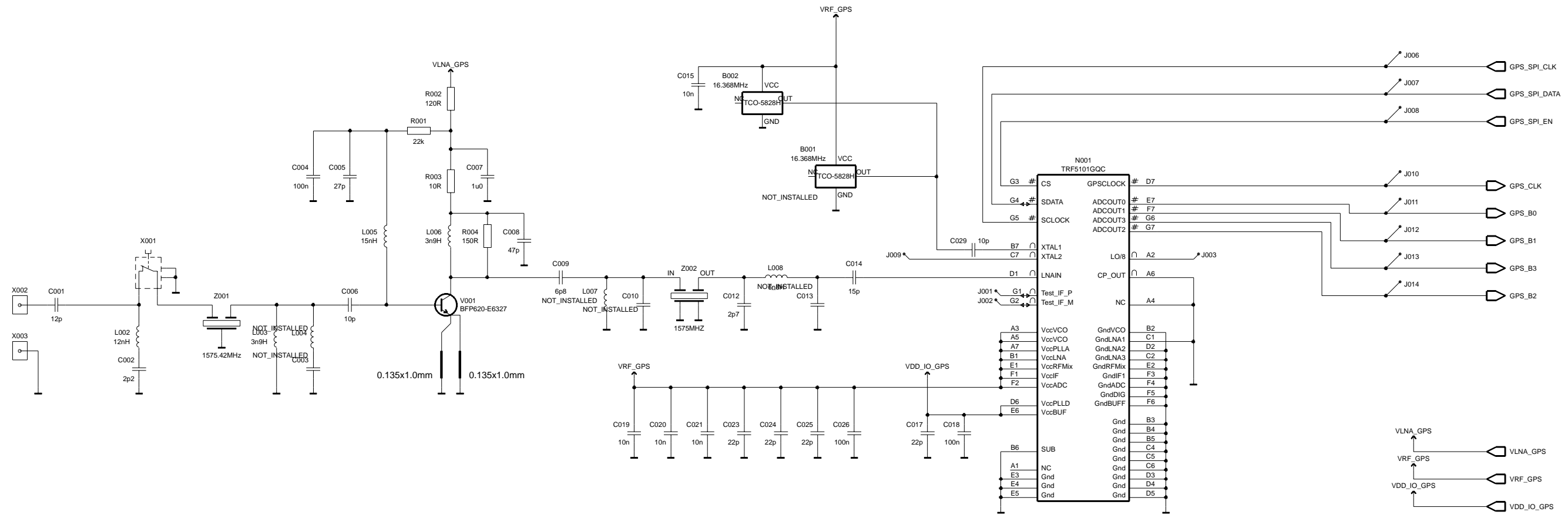
Audio



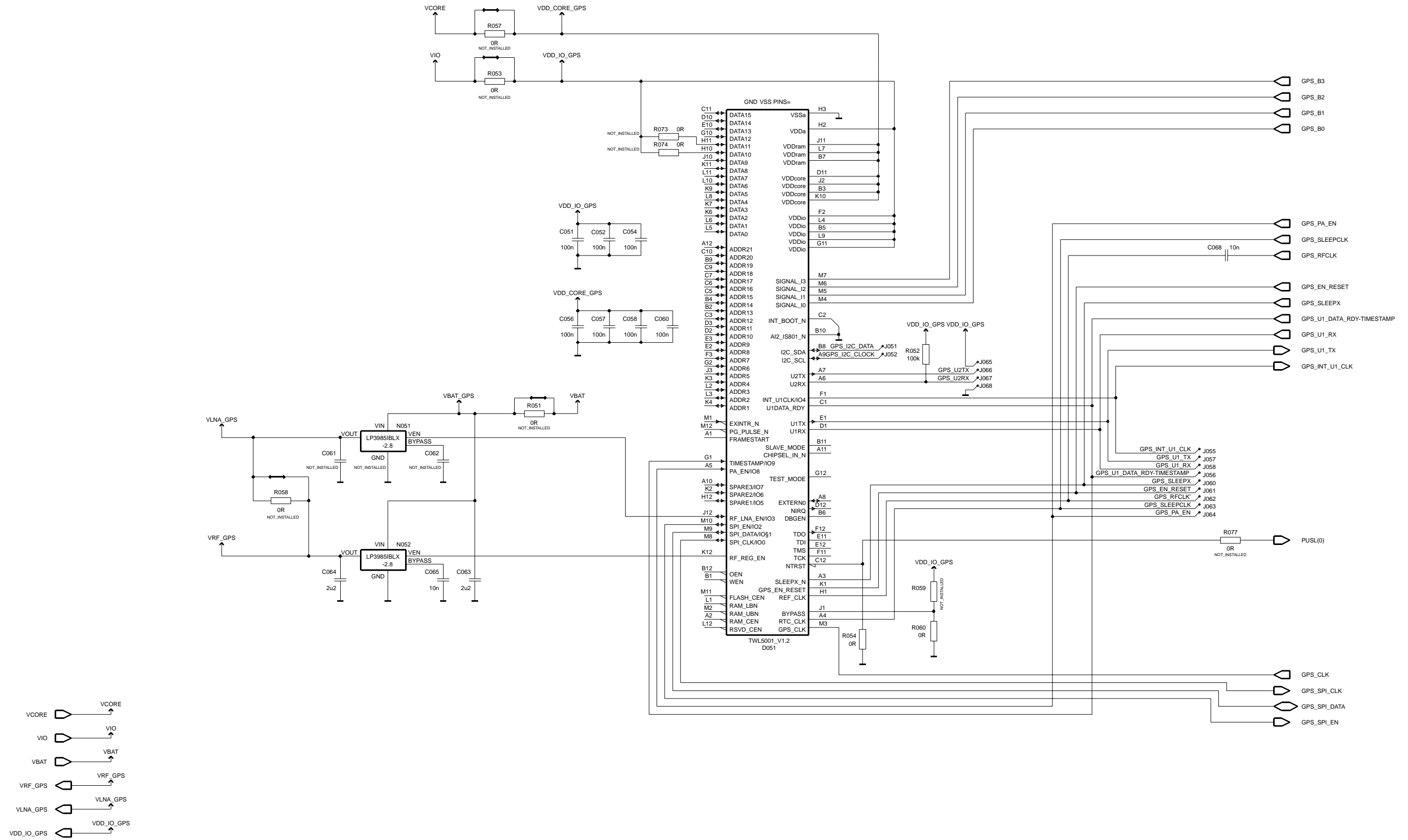
DCT4 Common Baseband



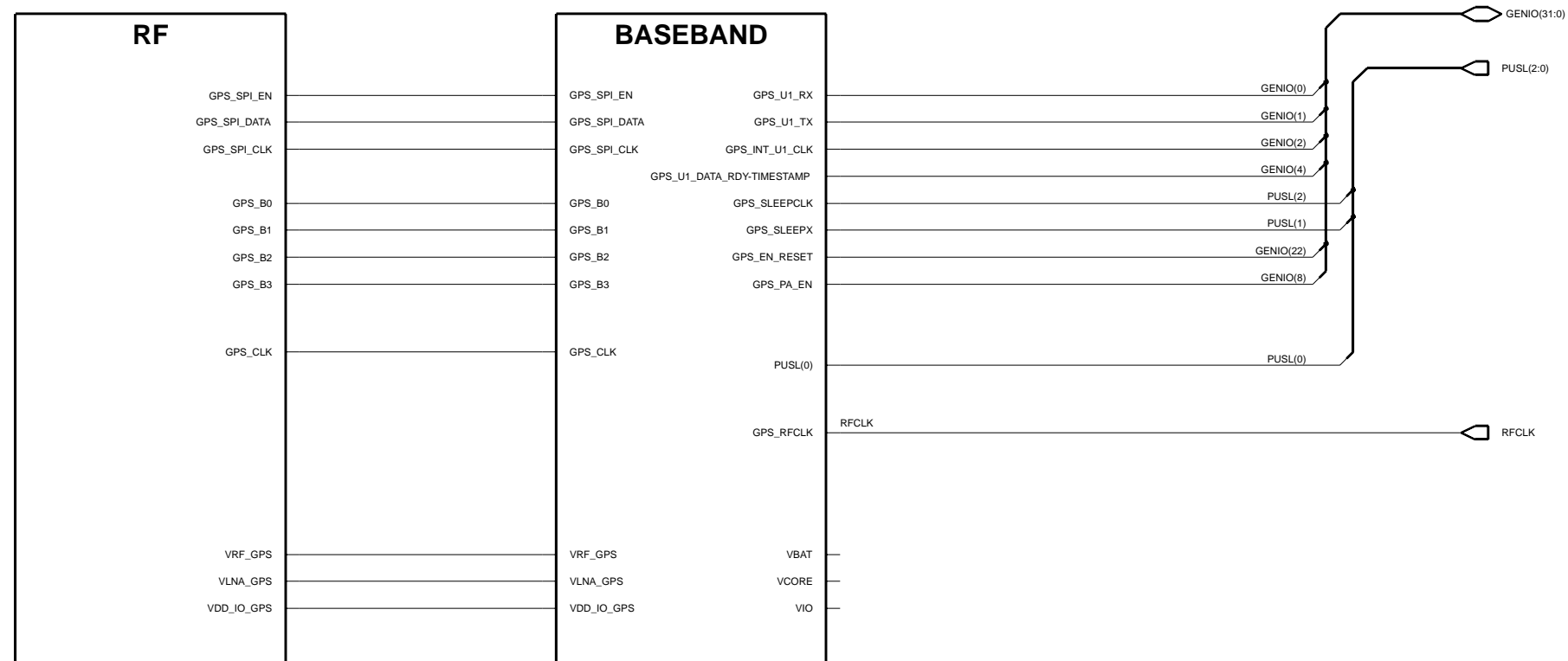
GPS RF Circuit Diagram



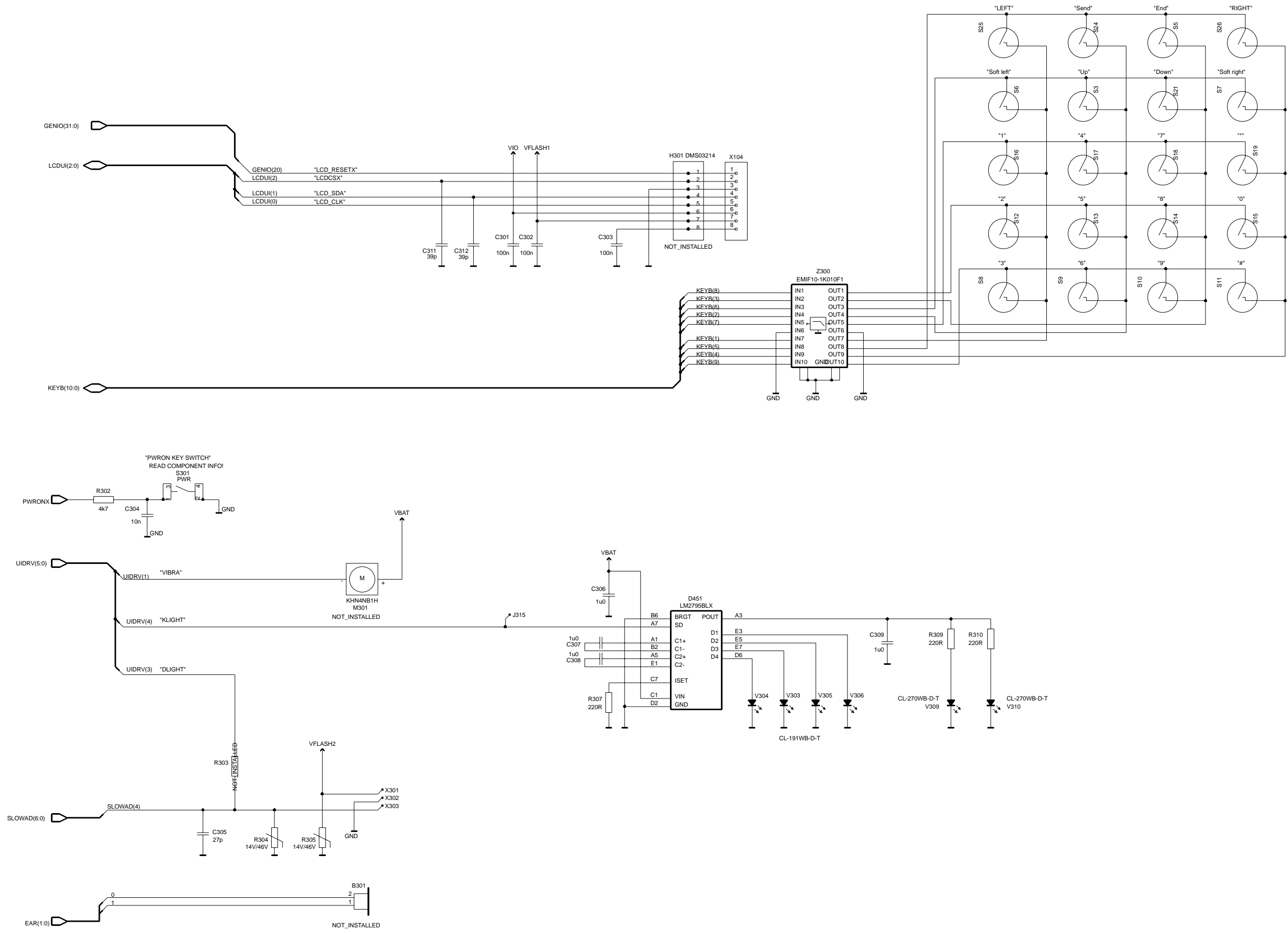
GPS Baseband Circuit Diagram



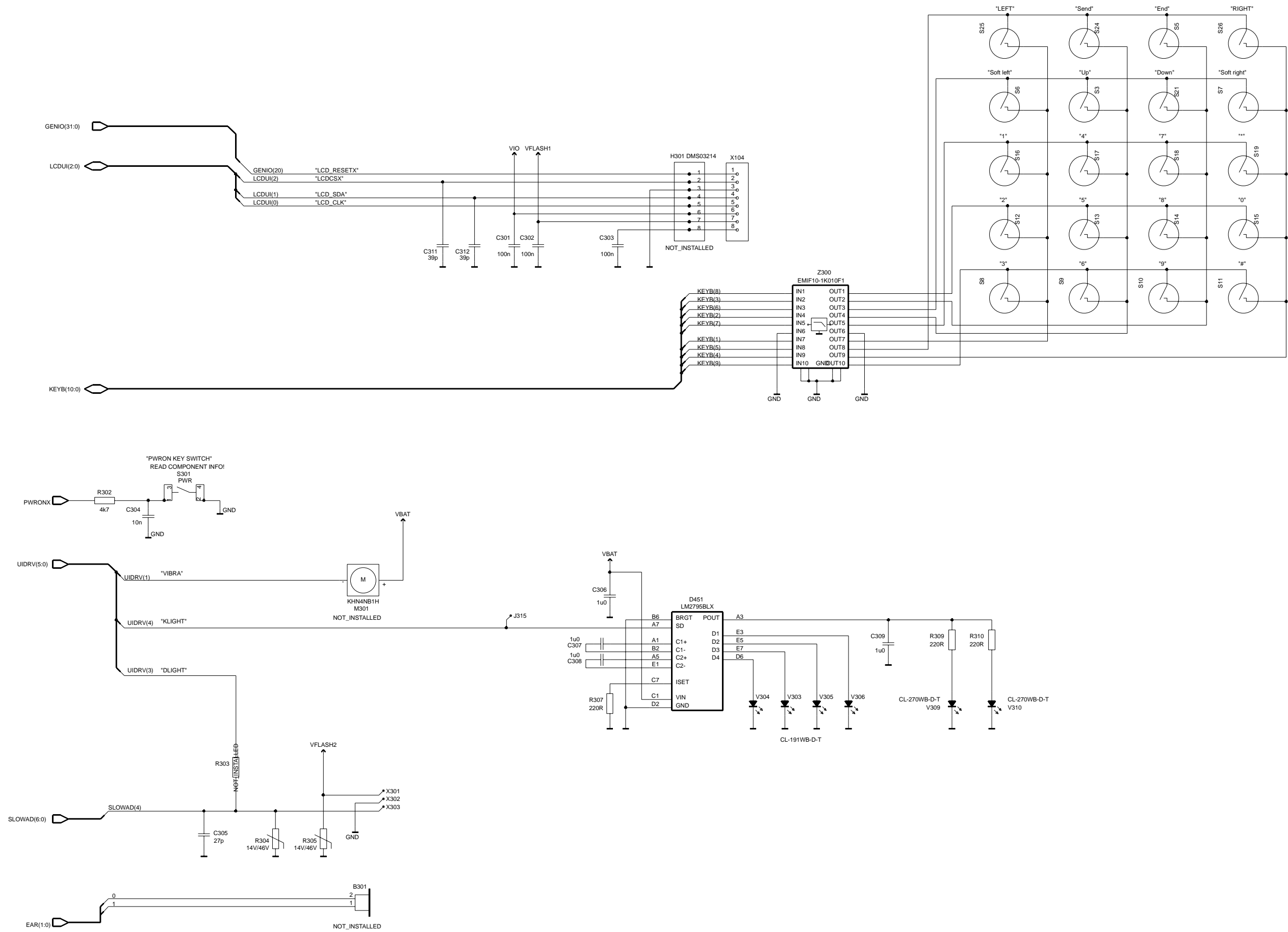
GPS RF-BB Interface



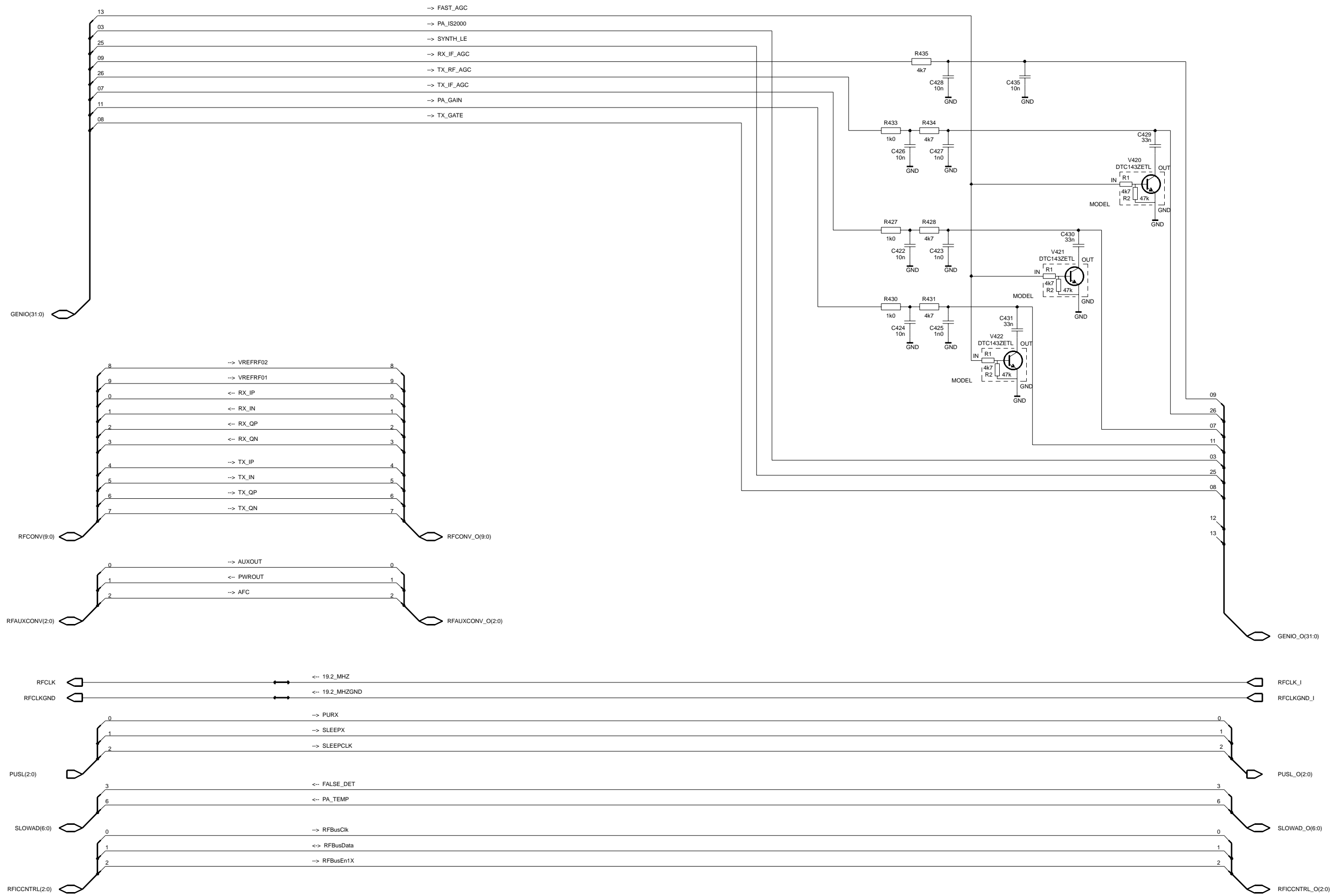
Circuit Diagram - UPP 8M



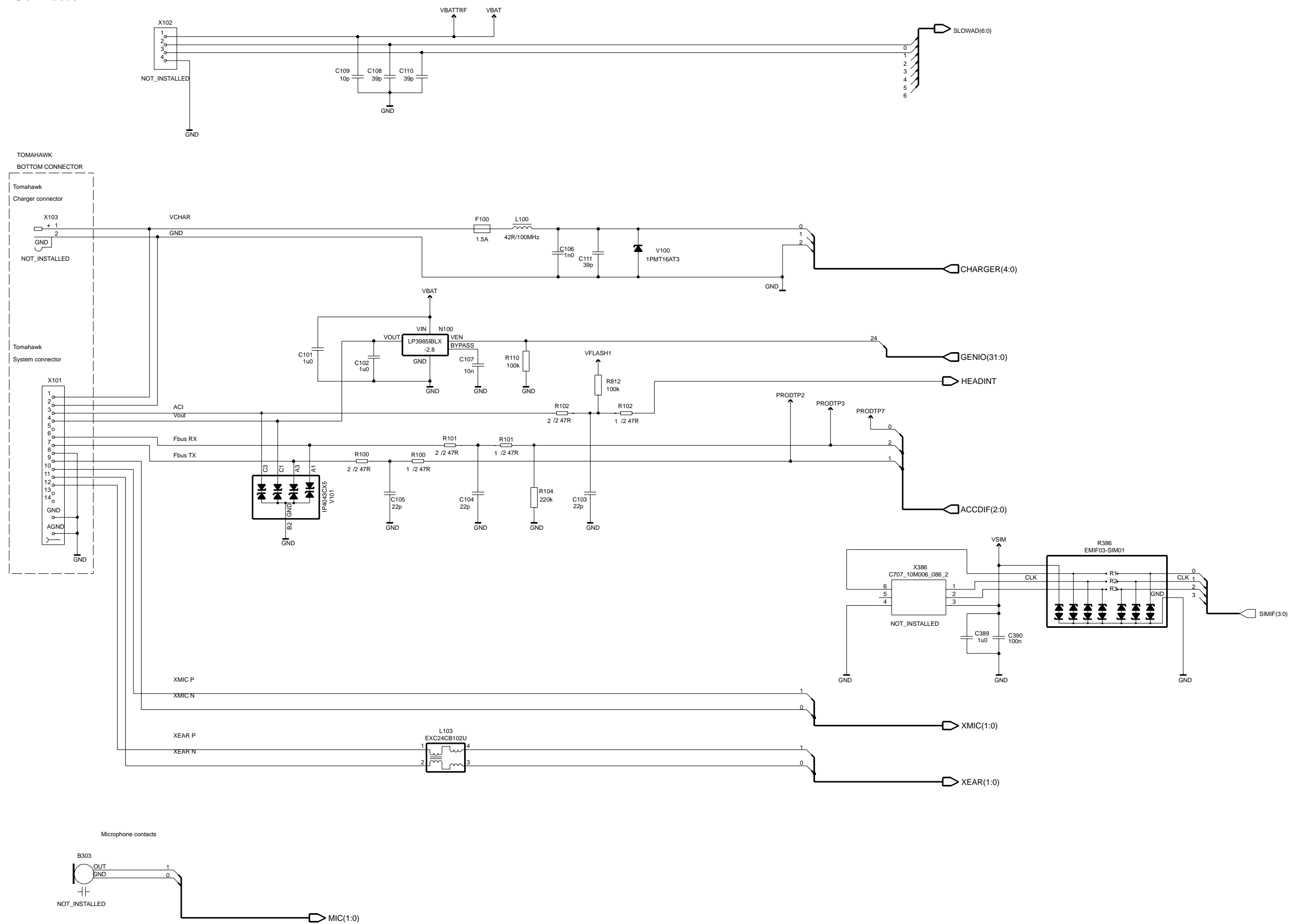
Circuit Diagram - User Interface



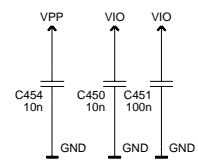
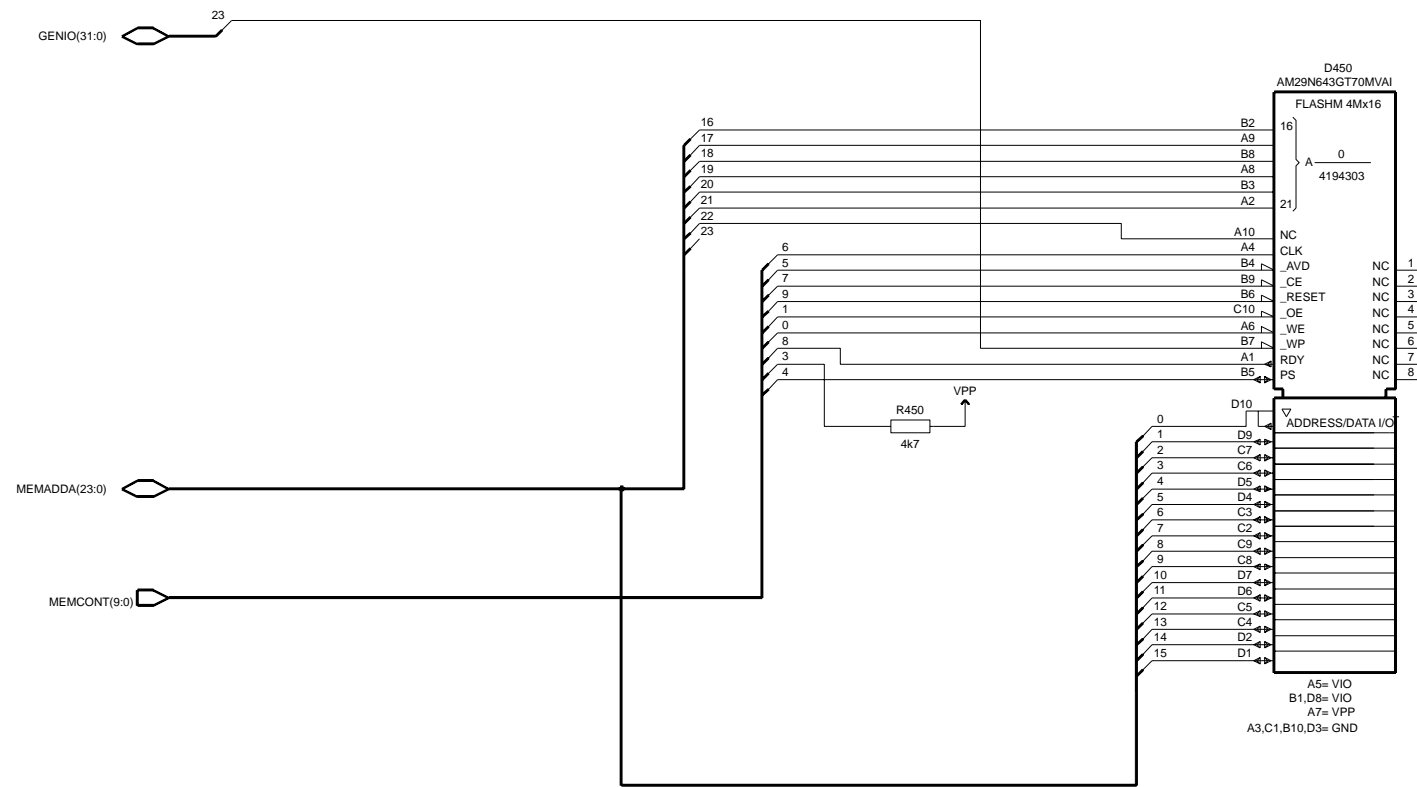
BB-RF Interface



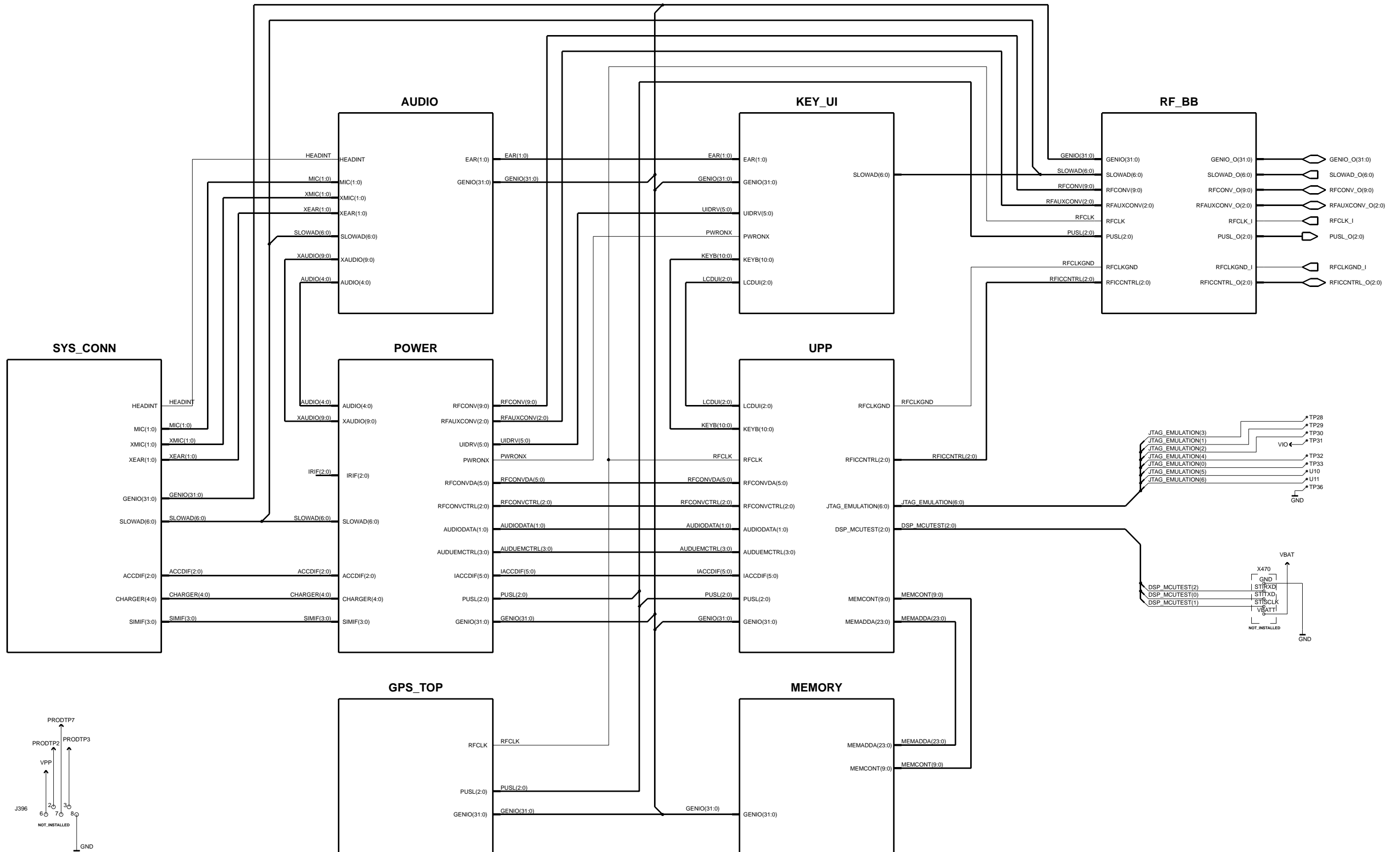
System Connector



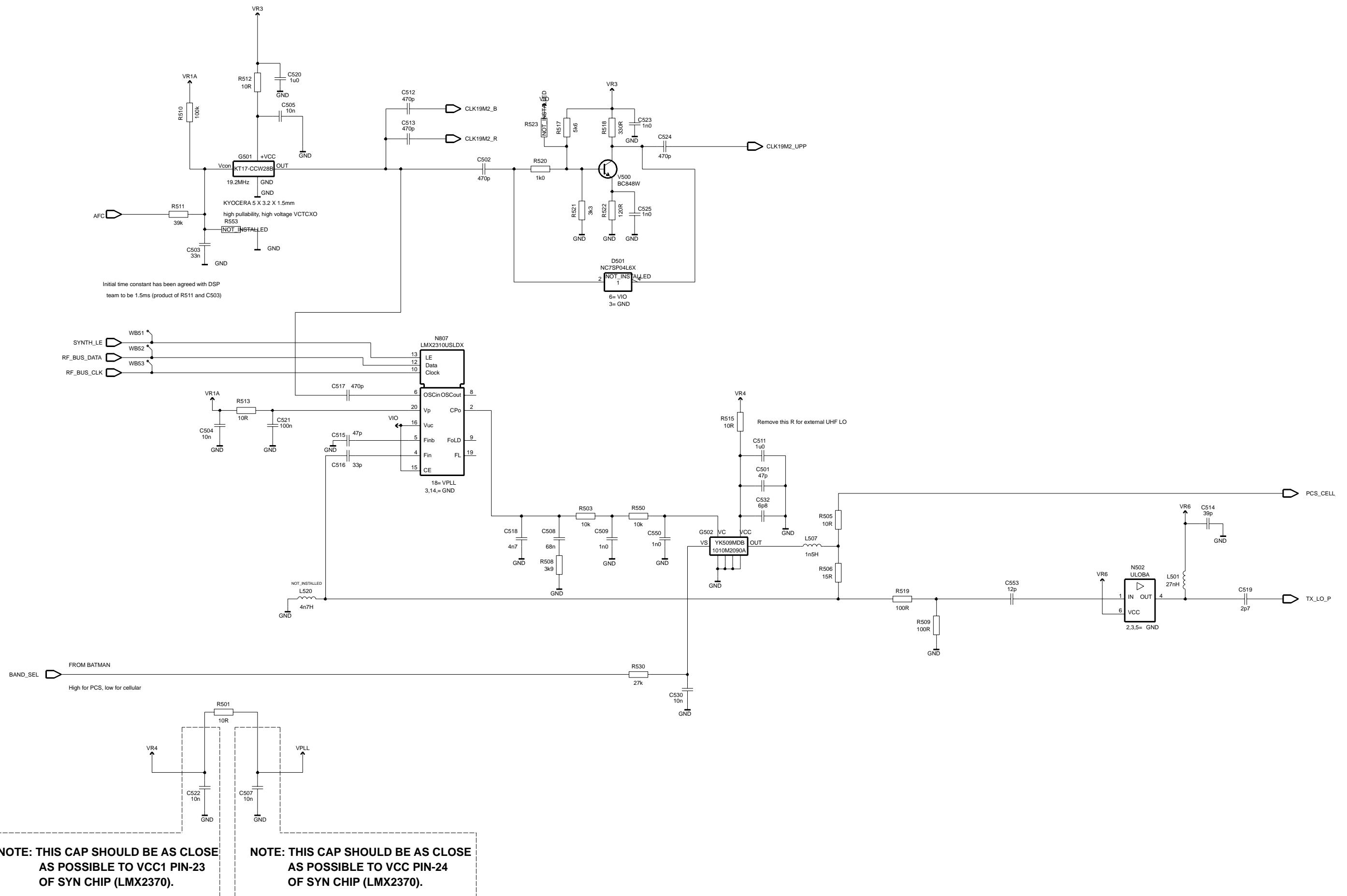
AMD 64 Mbit



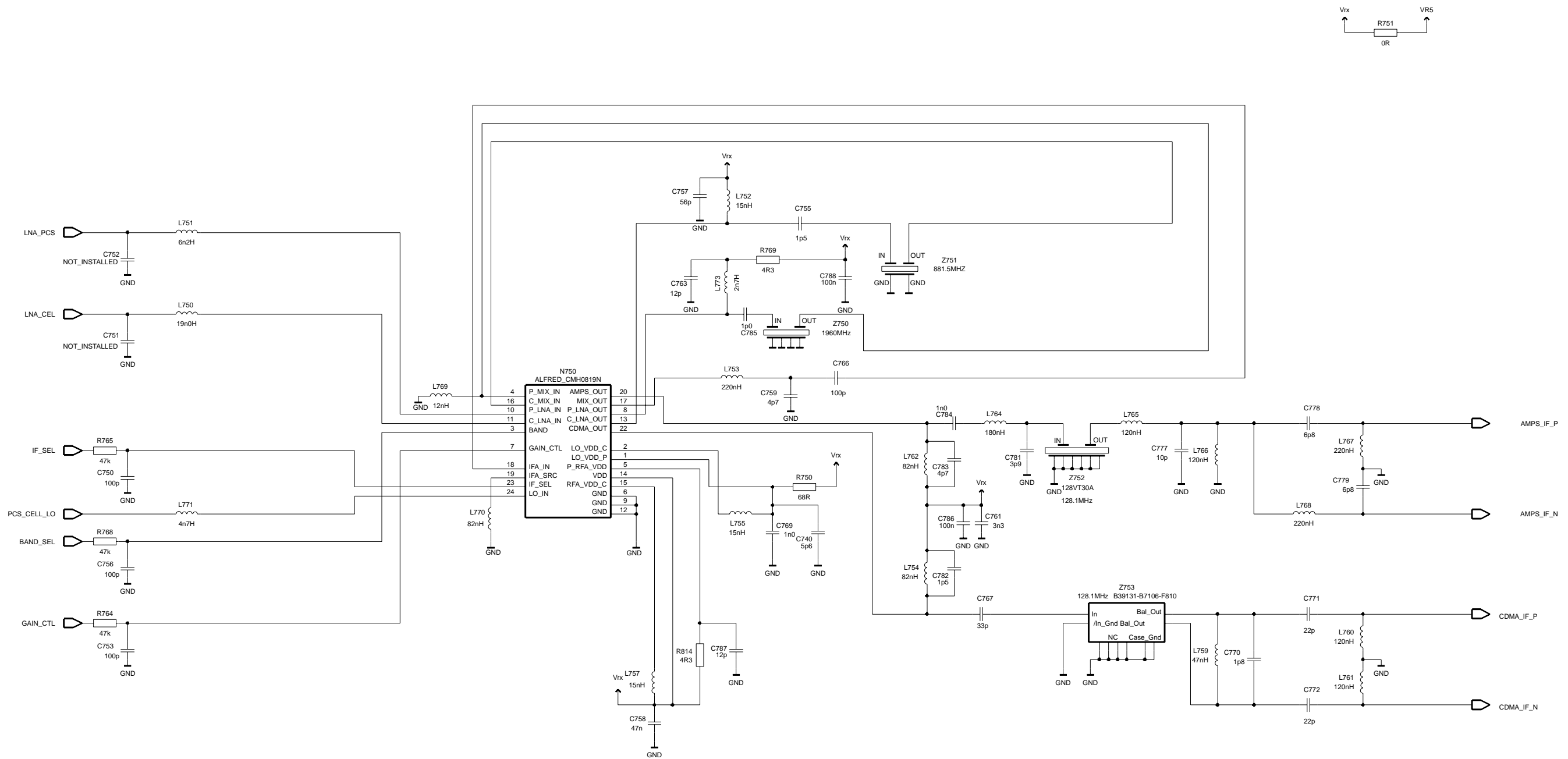
DCT4 Common Baseband - Top Level



Circuit Diagram - UHF Synth

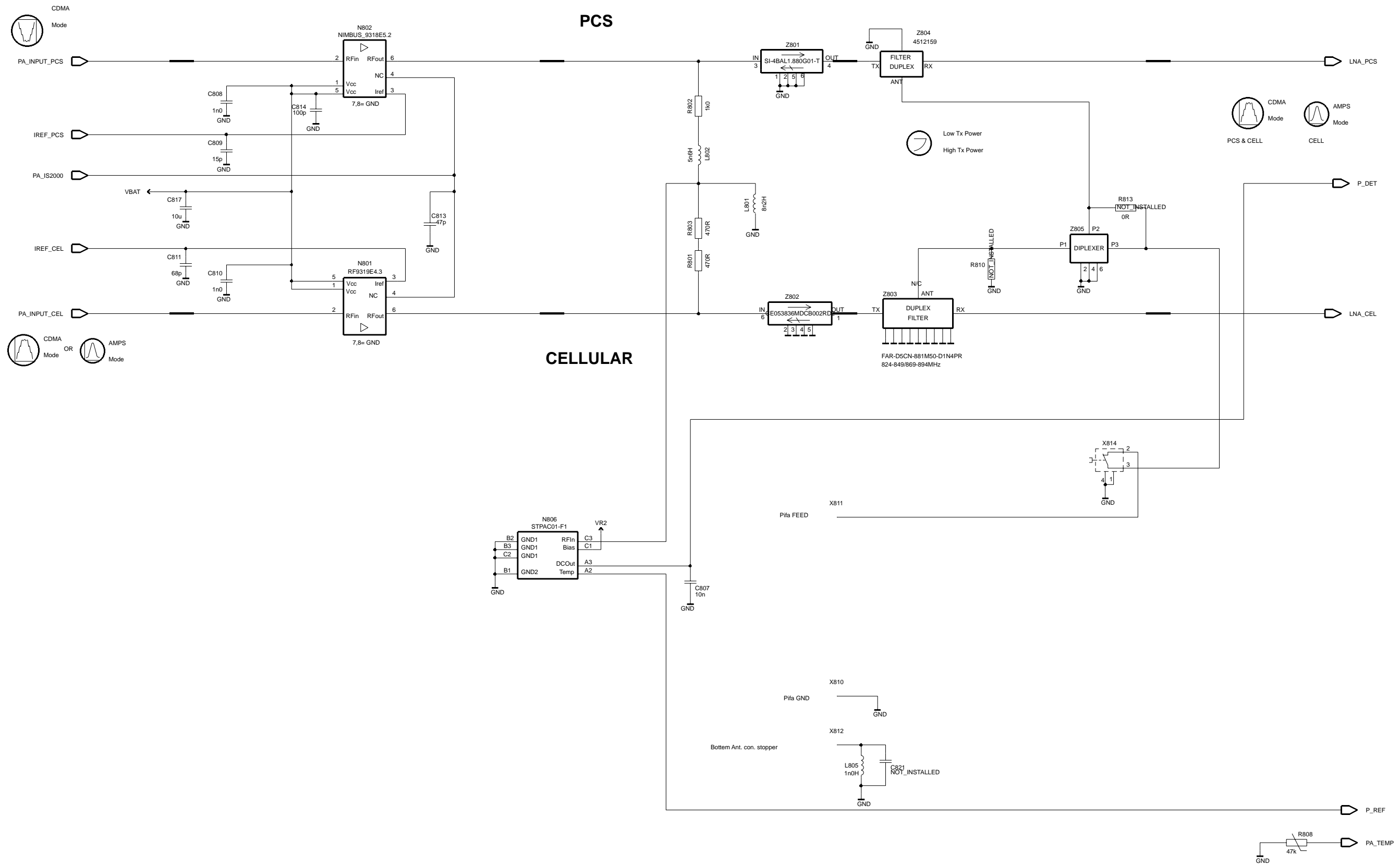


Circuit Diagram - Front End

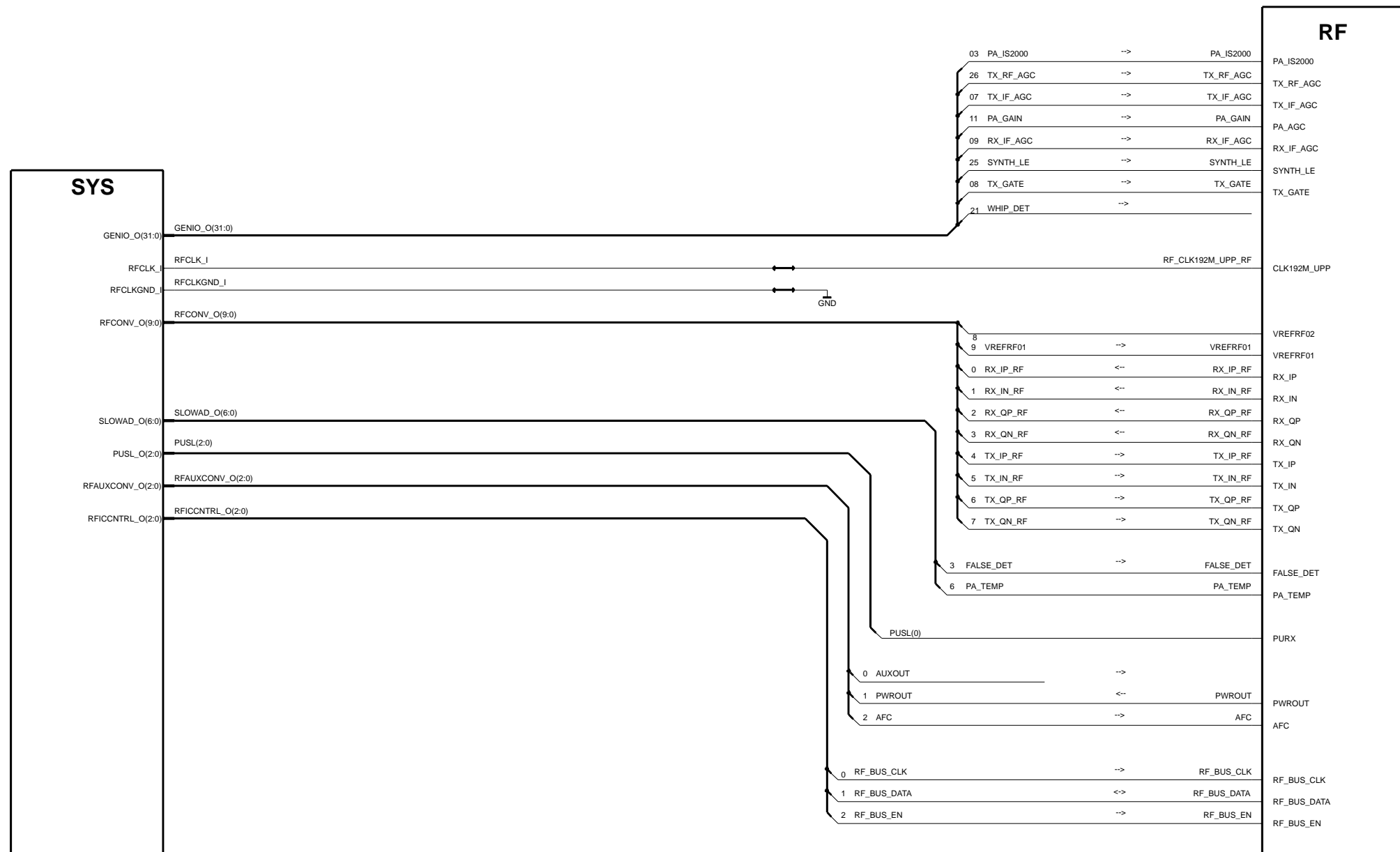


MODES	LOGIC INPUTS		
	BAND	GAIN_CTL	IF_SEL
CEL CDMA Hi Gain	0	1	0
CEL CDMA Lo Gain	0	0	0
PCS CDMA Hi Gain	1	1	0
PCS CDMA Lo Gain	1	0	0
AMPS Hi Gain	0	1	1
AMPS Lo Gain	0	0	1

Circuit Diagram - PA



Circuit Diagram - Top Level



Shields

